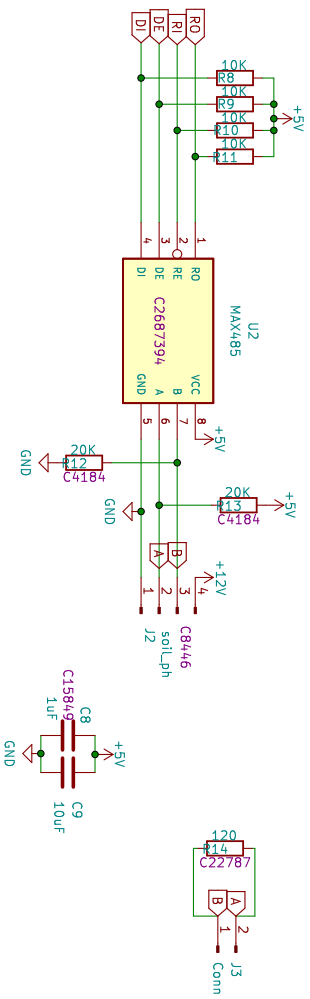
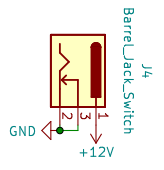
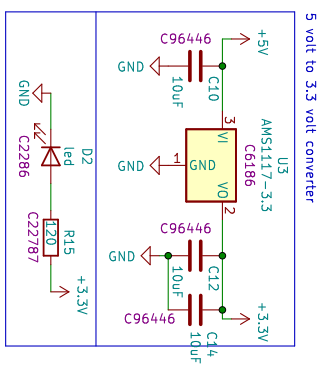
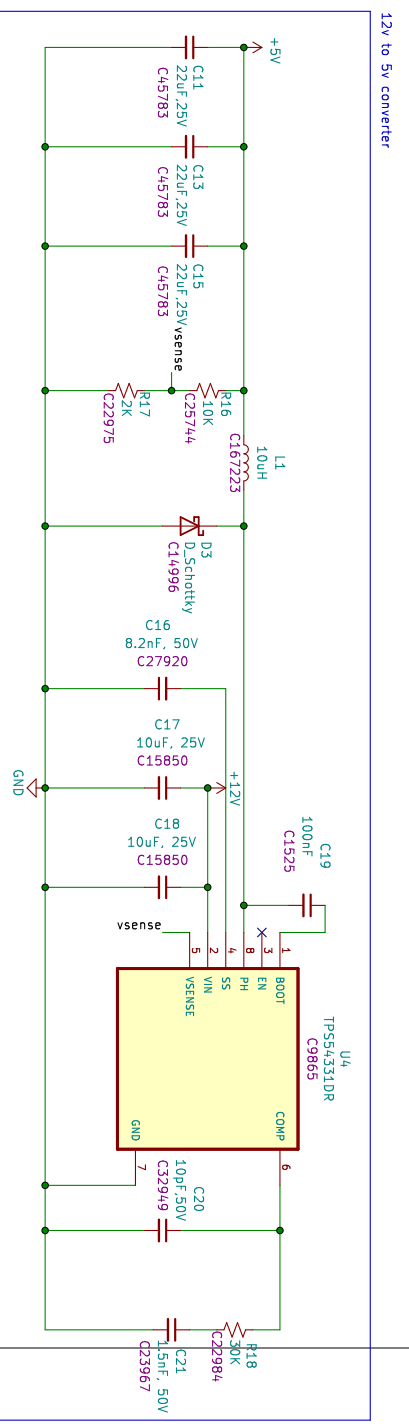


Sheet: /	File: green house.kicad_sch
Title:	
Size: A4	Date:
KiCad E.D.A. Kicad 7.0.5	Rev: Id: 1/3



Sheet: /RS48/	
File: RS485.kicad_sch	
Title:	
Size: A4	Date:
Kicad E.D.A. Kicad 7.0.5	
Rev:	
Id: 2/3	



Sheet: /power/	
File: power.kicad_sch	
Title:	
Size: A4	Date:
KiCad E.D.A. KiCad 7.0.5	
	Rev:
	Id: 3/3