
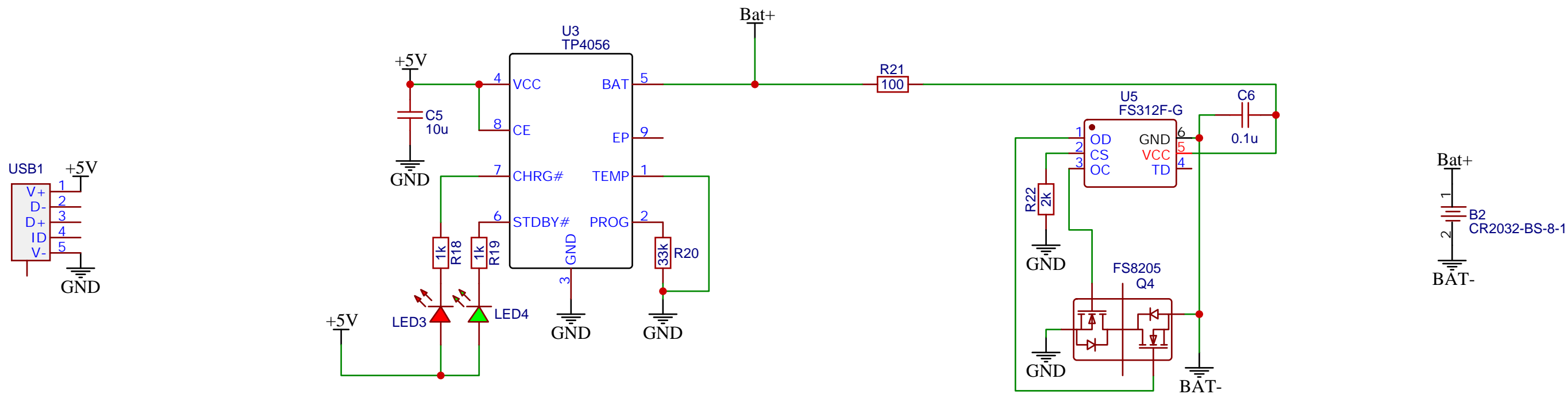



TITLE: ESP12F		REV: 1.0
	Company: electronics workshop	Sheet: 1/1
	Date: 2024-1-25	Drawn By: electronics workshop



TITLE: Power		REV: 1.0
	Company: Benedikt Fassian	Sheet: 1/1
	Date: 2020-05-19	Drawn By: mbenediktf